

## D6233

### Full Digital Conference Embedded Chairman Unit Microphone Gooseneck



#### Description

D6233 embedded chairman microphone is a professional conference system microphone with sensitive buttons and easy to operate. Not only does it have exquisite embedded structure design, removable microphone rod, but also with strong anti-interference capability. It can be integrated with the D6201 series of conference systems to form a comprehensive solution for high-quality conference systems.

#### Features

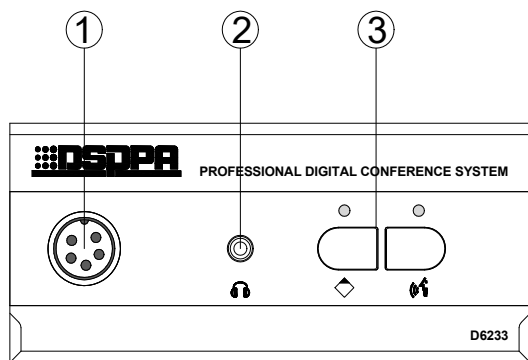
- Exquisite embedded structure design, removable microphone rod, easy to use.
- A pure speech conference unit.
- Electret cardioid directional condenser pickup microphone, with two-color indicator ring (red/green), red for speaking, green for applying for speaking.
- The standard knob-type gooseneck microphone rod is available in 315mm and 415mm, and black and silver.
- The microphone rod can be removed during recess for easy maintenance and preservation.
- With 3.5mm stereo headphone jack for headphone connection.
- With super strong anti-interference capability.
- With microphone on/off button, with a chairman priority button for the chairman unit.
- With button sign-in function.
- With a unique ID for each conference unit.
- Equipped with a camera, it can realize automatic tracking after setting by the digital conference system host or PC control software.
- Equipped with the control host, the unit has a self-test function. The items to be tested include: buttons, MIC, and LED indicator.
- The unit is a passive device, powered by the system host, with the input voltage of 24V.
- Through the host settings, the chairman unit has the priority function (can mute or turn off all delegate units), and the podium mode (the chairman unit is always on).
- The chairman unit has the function of approving the application for speaking from the delegate unit.
- The chairman unit can be turned on freely without being restricted by the number of speaking mics.

- The chairman unit has the priority function of fully controlling the conference order.
- The connection position of the chairman unit is not restricted.

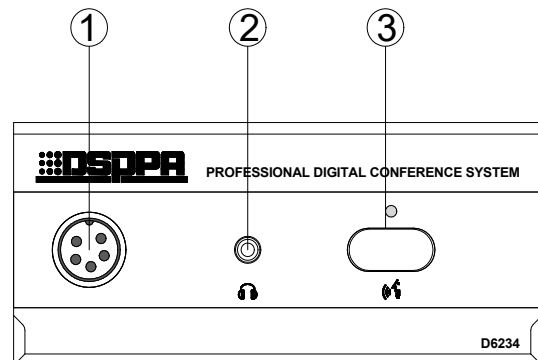
## Specifications

Model	D6233
Structure Type	Embedded
Static Power Consumption	<1W
Maximum Power Consumption	2W
SNR	>80dB
Crosstalk Attenuation	>80dB
Harmonic Distortion	<0.5%
Headphone Output	9dBu, 8-32Ω, 3.5mm
Working Power	Host power supply DC24V
Unit Interface	RJ45
Microphone Type	Electret cardioid condenser
Sensitivity	-45dBV/pa
Input Impedance	2kΩ
Equivalent Noise	20dB(SPL)
MAX. SPL.	125dB(THD<3%)
Outer Dimensions (L×W×H)	140×63×75mm
Panel Dimensions (L×W×H)	140×63×6mm
Chassis Dimensions (L×W)	130×45mm
Net Weight	1kg

## Front / Rear Panel



Top View of Chairman Unit



Top View of Delegate Unit

### 1. MIC Jack

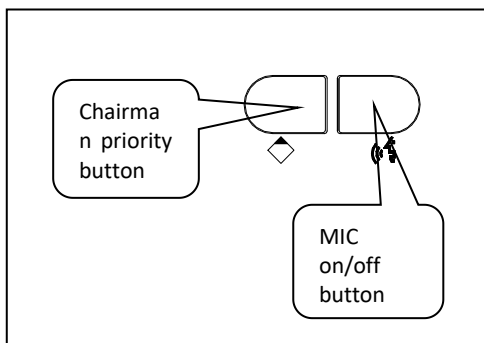
- A removable 5-pin spiral microphone jack.

### 2. Headphone Jack

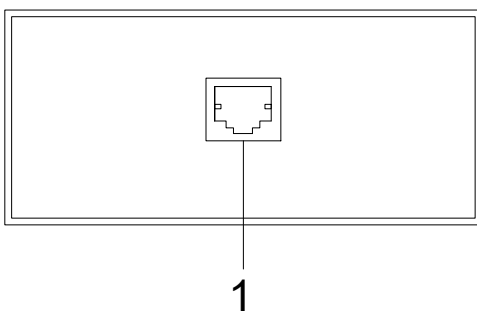
- Connect with a 3.5mm plug.

### 3. MIC ON/OFF Button & Indicator

- The MIC ON/OFF button / APPLY button and indicator of the delegate unit. The indicator is on when the button is pressed to turn on the microphone; the indicator flashes when the button is pressed to apply for speaking and during unit renumbering and camera tracking.
- The MIC ON/OFF button and the chairman priority button and indicators of the chairman unit.



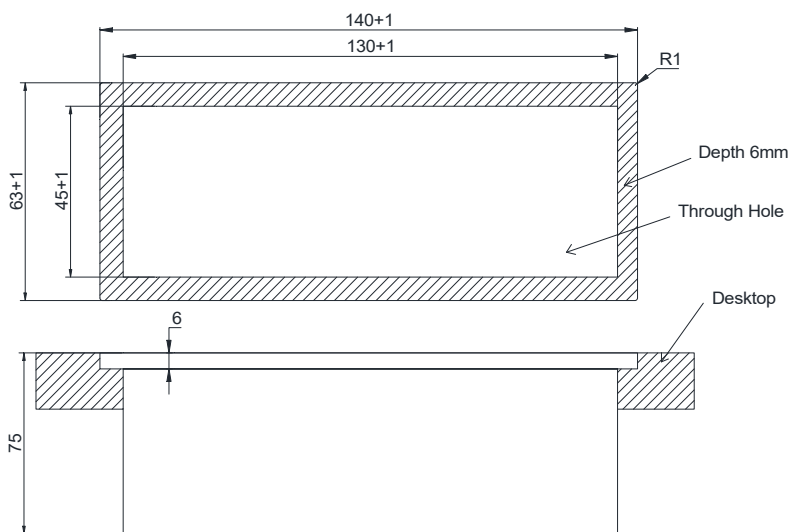
- The indicator is on when the MIC ON/OFF button is pressed to turn on the microphone, while the indicator flashes during unit renumbering and camera tracking.
- Press the chairman priority button to mute or turn off the unit that is speaking.



### 1. RJ45 Jack

- Connect the channel B of the CH1 or CH2 of the audio interface box D6237.

## System Diagram



D6233/D6234 Mounting Hole Size Drawing