

DSP6050

50W Outdoor Waterproof Wall-Mounted Speaker



Description

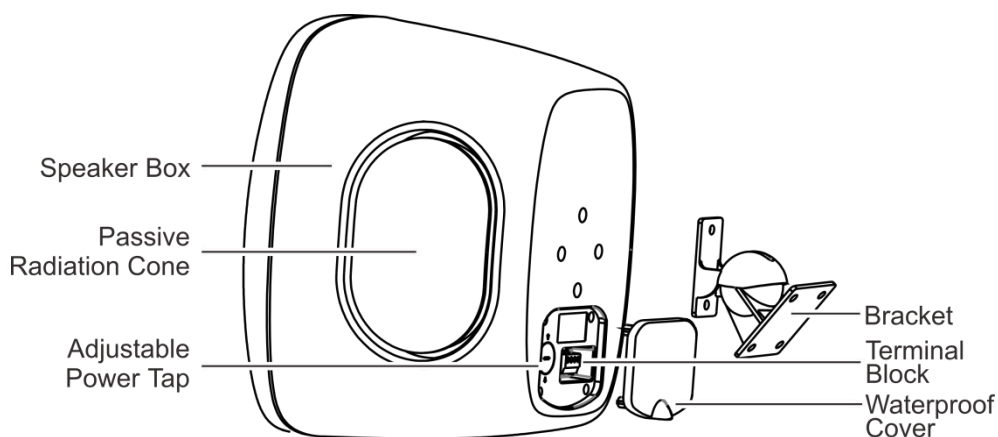
The product is an outdoor waterproof wall-mounted speaker, which features IP66 waterproof level and inverted-phase design. It consists of tweeter and woofer units for clear and bright sound. The speaker box is made of polymer engineering plastics and the mesh is made of aluminum material for stable and reliable operation in indoor and outdoor environments.

Features

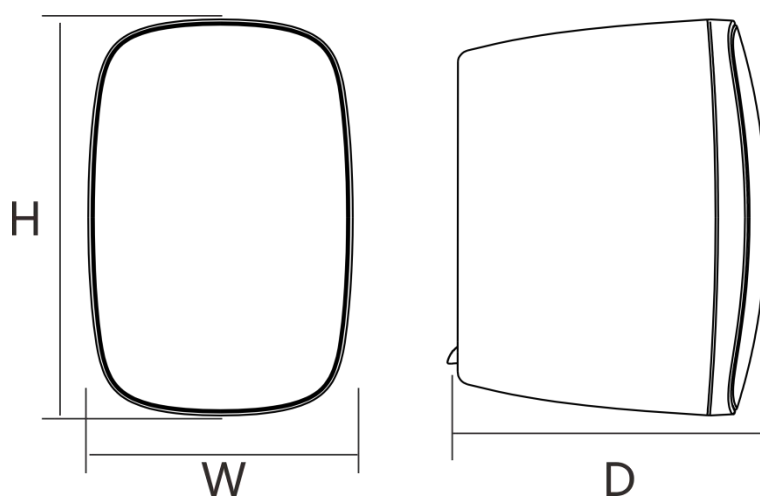
- Specialized in sound quality, using inverted-phase design with passive radiation cone, and equipped with tweeter and woofer units for clear sound level, smooth and transparent, clear and bright, and powerful bass.
- Streamlined design, smooth and elegant curves, stylish and classy outlook.
- Available in black and white, suitable for the decorative styles of different venues.
- Mesh: Made of 1060 pure aluminum, which is hardened and anti-oxidation treated, not easy to deform and never rust.
- Speaker box: Made of polymer engineering plastics, durable, safe and reliable.
- Speaker unit: The tweeter diaphragm is made of natural silk membrane; the woofer diaphragm is made of polypropylene with large magnetic circuit.
- Mounting bracket: Cast aluminum molding, no oxidation and rust, safe and durable, multi-angle adjustment, easy to install and use.
- Waterproof level: IP66 waterproof level, all-weather design, to ensure the reliable use in indoor and outdoor environments.

Model	DSP6050
Speaker Unit	6.5"×1, 1"×1
Operating Voltage	100V
Rated Power	50W
Power Adjustment	8Ω-50W-25W-12.5W-6.3W-3.2W
Frequency Response	80Hz-20kHz
Sensitivity (1m, 1W)	87dB±2dB
MAX. SPL. (1m)	104dB±2dB
Operating Temperature	-20°C~+50°C
Dimensions (H×W×D)	300×200×233mm
Net Weight (1PC)	4.3kg
Gross Weight (2PCS/CTN)	12kg

Product Information

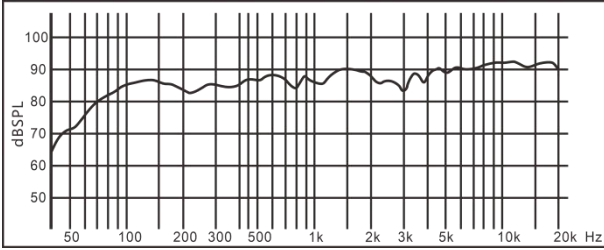


Product Breakdown Structure



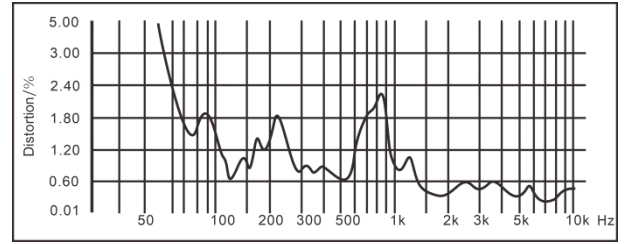
H	W	D
300	200	233

Frequency Response
(dB SPL, 1W, 1m)

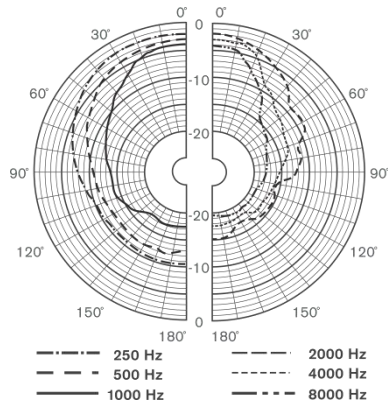


Distortion

(THD < 3% 1W, 1m, 100Hz-10kHz)



Vertical Directivity Pattern



Horizontal Directivity Pattern

