

DSP255II Waterproof Column Speaker



Features

- Outdoor design, waterproof unit, suit for outdoor and indoor. Support working at high temperate up to 60 degrees.
- Small and elegant appearance, suit for all kind of decoration place.
- With 3 "Gray polypropylene drum paper full frequency cone-type bass unit and 2" treble unit combination, frequency response wide, bass level clear, treble clear and bright.
- With power tap, independently adjustable, multiple choices of input mode.
- Solid aluminum alloy box, not easy to deformation and rust.
- E type pure copper wire audio transformer to ensure fidelity of audio output.
- Equipped with multifunctional mounting bracket, convenient

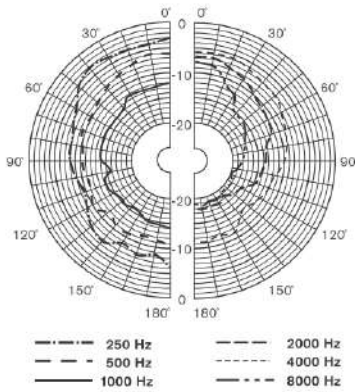
Description

The speaker DSP255II is made of aluminum alloy housing, with a fine, with surface UV Antiultraviolet paint treatment, with a strong textured appearance and capable of providing professional levels.

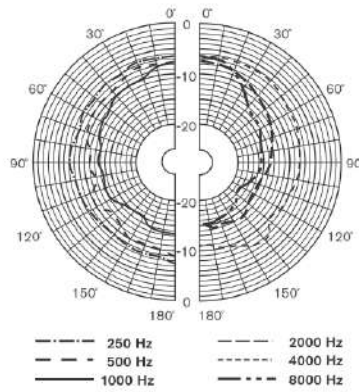
The sound performance can meet the demanding requirements of the site.

Specification

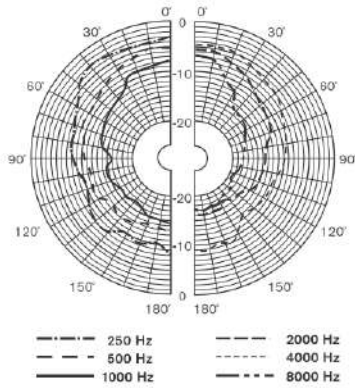
Model	DSP255II	DSP455II
Speaker unit	3"×2, 2"×1	3"×4, 2"×1
Rated power (RMS)	30W	60W
Freq.Response	140Hz-20kHz	140Hz-20kHz
Sensitivity (1m,1W)	87±3dB	89±3dB
Max SPL (1m)	102±3dB	107±3dB
Dimension (L×W×H)	376×109×102mm	606×109×102mm
Net weight	3kg	4kg



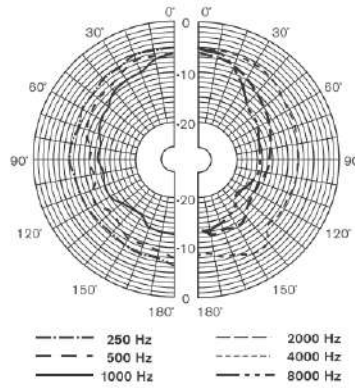
DSP255II Vertical directivity pattern



DSP255II Horizontal directional pattern

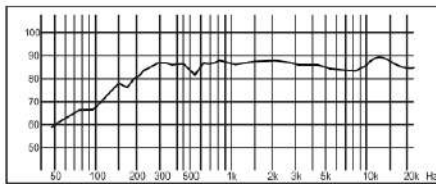


DSP455II Vertical directivity pattern

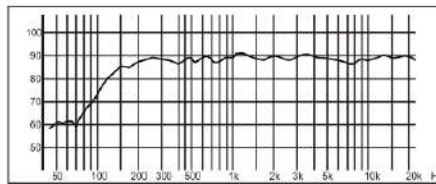


DSP455II Horizontal directional pattern

DSP255II Freq.Response
(dB SPL, 1W, 1m)

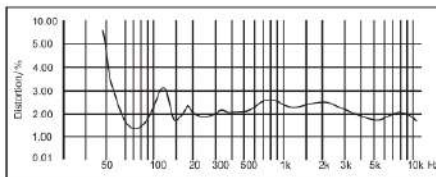


DSP455II Freq.Response
(dB SPL, 1W, 1m)



DSP255II Distortion

(THD < 5% 1W, 1m, 100Hz-10kHz)



DSP455II Distortion

(THD < 5% 1W, 1m, 100Hz-10kHz)

