

DSP5311

6.5" Frameless Surface Mount Ceiling Speaker



Description

This high-performance 6.5" ceiling speaker features a sleek design, full-range sound, and durable construction for easy, stylish installation in any venue.

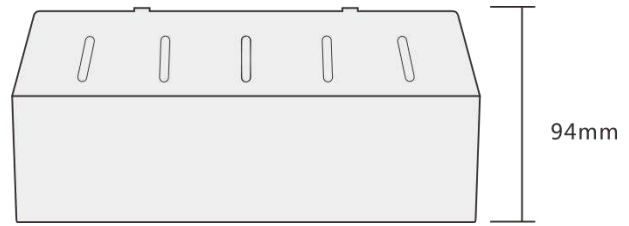
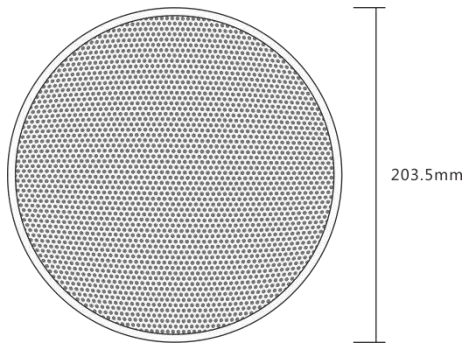
Features

- 6.5 inch driver unit, large and special magnetic circuit ensures strong power.
- Full range driver unit design, perfectly realize the reproduction of voice and music.
- The appearance is designed in a circular shape, showing the conciseness and elegance and leading the fashion trend. Carbon alloy aluminum grille, with RAL white layer, can perfectly comply with any indoor venue.
- Comply with IEC 268-5 (PHC) standards, can work with RMS power for 100 hours continuously, can support instant output of twice RMS power.
- The ceiling is designed on an open-installation basis, so as to relieve the procedure for cutting the hole.

Specifications

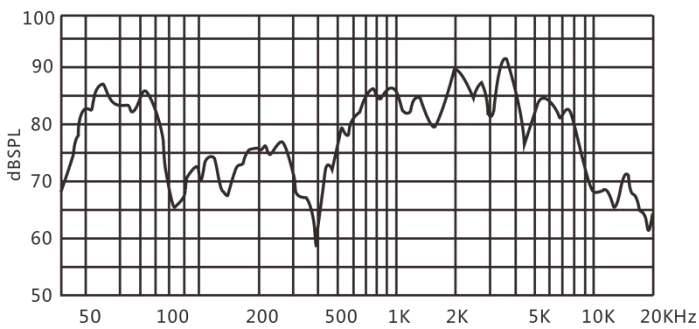
Model	DSP5311
Speaker Unit	6.5"×1
Rated Power (RMS)	6W
Rated Voltage	70V/100V
Sensitivity (1m, 1W)	92±2dB
MAX. SPL. (1m)	100±2dB
Frequency Response	140Hz-16kHz
Dimensions (H×W×D)	203.5×203.5×94mm
Weight	1.0kg

Product Information



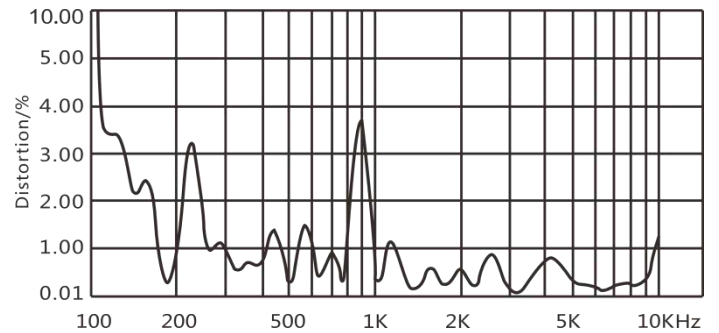
Technical Parameters

Frequency Response
(dB SPL, 1W, 1m)

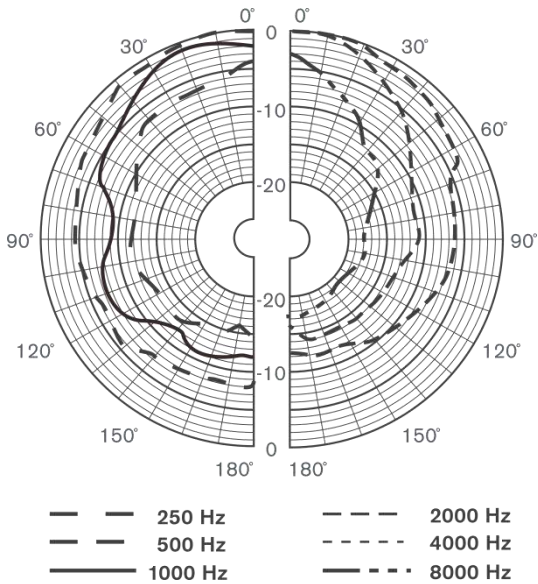


Distortion

(THD < 5% 1W, 1m, 100Hz-10kHz)



Vertical Directivity Pattern



Horizontal Directivity Pattern

