

MP9312D 120W Ultra-thin Digital Mixer Amplifier

Features



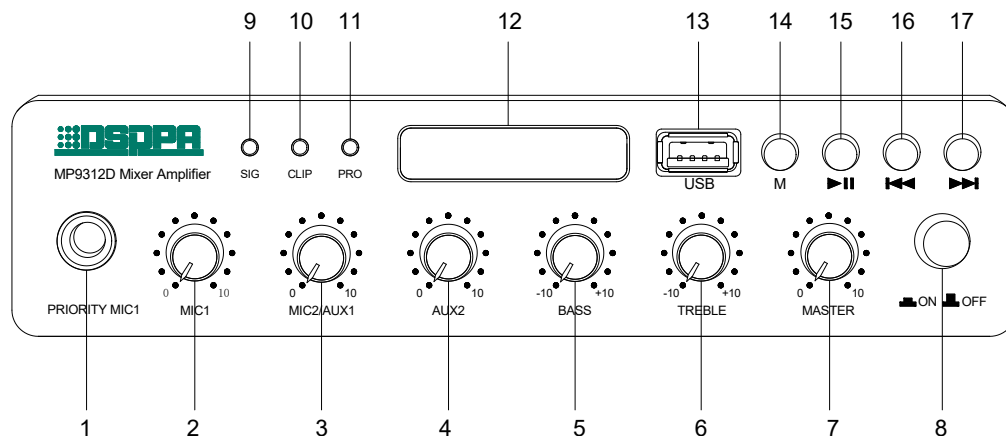
- Built-in digital amplifier module, high efficiency (85%)
- Support Bluetooth and USB
- 2 AUX & 2 Mic inputs & 1 AUX output for power extension
- Each AUX & Mic input with individual volume control
- Mic 1 of 6.35mm in front panel, with priority & muting
- With priority input and 100V input
- Support both AC power and DC 24V power input
- 100V speaker output for long distance transfer

Specifications

Model		MP9306D	MP9312D
Rated Power		60W	120W
Speaker Output		100V	
Sensibility	MIC 1	0.005 ($\pm 1mV$)	
	MIC 2	0.006 ($\pm 1mV$)	
	Line, Priority in	0.3 ($\pm 20mV$)VRMS	
	Priority in 100V	100 VRMS	
SNR	MIC, Line 1	$\geq 74dB$ (Maximum)	
	Line 2, Priority in	$\geq 80dB$ (Maximum)	
Frequency Response		80Hz-15kHz ($\pm 3dB$)	
Distortion		$\leq 0.5\%$	
Power Supply		DC24V, AC180-250V/50-60Hz	
Tone	Bass	$\pm 10dB$ (100Hz)	
	Treble	$\pm 10dB$ (100Hz)	
Power Consumption		180W	90W
Packing Size (W×H×L)		310×275×120mm	
Product Size (W×H×L)		200×190×44mm	
Net Weight		1.5kg	
Gross Weight		2kg	

Technical specifications are subject to change without prior notice.

Front panel



1. Mic 1 second priority input

2. MIC1 volume adjustment

Adjust the volume of MIC1, turn clockwise to turn up, turn counter clockwise to turn down.

3. MIC2/AUX1 volume adjustment

Adjust the volume of MIC2/AUX1, turn clockwise to turn up, turn counter clockwise to turn down.

4. AUX2 volume adjustment

Adjust the volume of AUX2, turn clockwise to turn up, turn counter clockwise to turn down.

5. Bass volume adjustment

The central position as the benchmark, turn counter clockwise to turn down the bass, turn clockwise to turn up the bass

6. Treble volume adjustment

The central position as the benchmark, turn counter clockwise to turn down the treble, turn clockwise to turn up the treble

7. Master volume adjustment

Adjust the level of all signals (except EMC), turn clockwise to turn up the volume, turn counter clockwise to turn down the volume.

8. Power switch

Press “ON” to turn on the power, press “OFF” to close the power

9. Signal level indicator (SIG)

10. Clip Indicator (CLIP)

11. Protection indicator (PRO)

12. Display screen

13. USB interface

Insert the U disk to provide program to the built-in MP3

14. Mode switcher

Bluetooth mode (BLUE), U-disk MP3 mode, line input mode (LINE) mode can be switched

15. Play/Pause

In U disk and Bluetooth mode, pause play

In Line mode, this key is to mute

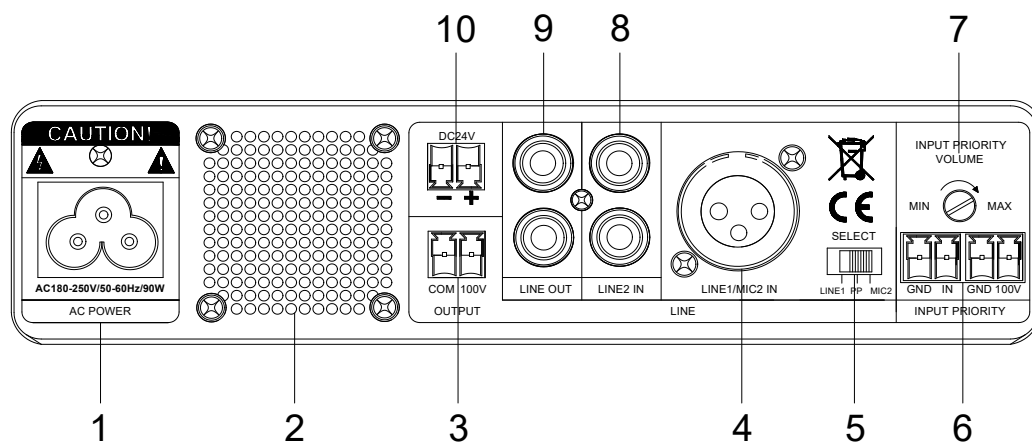
16. Last song

In U-disk and Bluetooth mode, press this key to switch to the “last song”, long press this key to turn down the volume

17. Next song

In U-disk and Bluetooth mode, press this key to switch to the “next song”, long press this key to turn up the volume

Rear panel



1. AC Power input socket

The interface is to supply the working power. Insert the plug onto the machine, then connect the power grid.

2. Cooling fan window

3. Speaker output interface

4. LINE1 /MIC2 IN balanced input interface

Can connect with microphone or other external audio

5. LINE1/PP/MIC2 switcher

LINE1/PP/MIC2 audio selection switcher, can left and right slide to choose AUX1 or MIC2 or phantom power for MIC2 (PP switch)

6. Priority & 100V input interface

Two highest priority input interface

7. Priority input volume adjustment

8. AUX2 input interface

9. Line Out

10. DC24V input interface