

DSP6608R 40 W Wall Mount Active Speaker



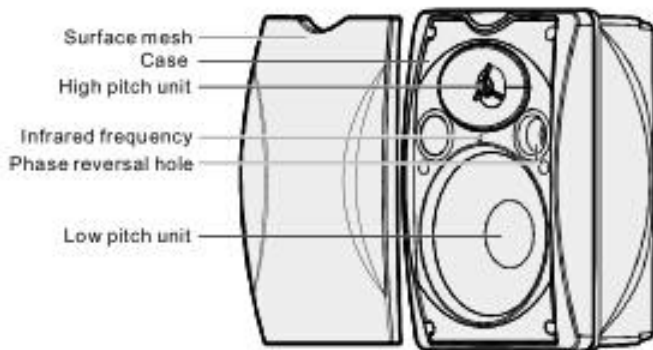
Features

- One set includes an active loudspeaker and a passive one
- Wide power input range:100-240V/50Hz/60Hz
- Built-in 2x40W class D amplifier, high efficiency, low power consumption
- Built-in wireless Mic receiver module, working distance 60m
- Built-in Bluetooth 4.0 wireless audio control with PIN-code
- Built-in master volume control , 1 AUX output and 2 priority inputs
- Aluminum grille , fireproof ABS cabinet and metal mounting bracket
- MIC and AUX input with volume independent control and bass & treble

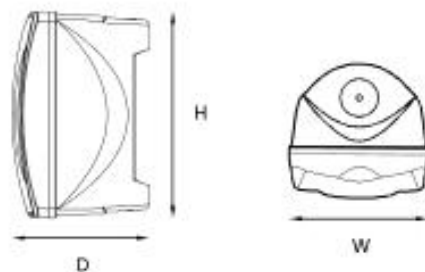
Description

DSP6606R is a multimedia wall mount speaker especially designed for teaching, including an active loudspeaker and a passive one. It adopts anti-oxidation pure aluminum panel , fireproof and thickening ABS material for box design, safe and durable . It built in 2x40W class D amplifier, high efficiency, low power consumption. It has phase reversal hole and bass & treble control, transparent, clear and bright sound effective. Built-in wireless microphone receiver module, Bluetooth 4.0 wireless audio control with PIN-code and can be matched with DSPPA multimedia education system to realize both teaching and broadcast. This series PA speaker system is widely used in hotel, trade building, supermarket, school, entertainment, etc.

Product Information



Wall mounted speaker (main box)

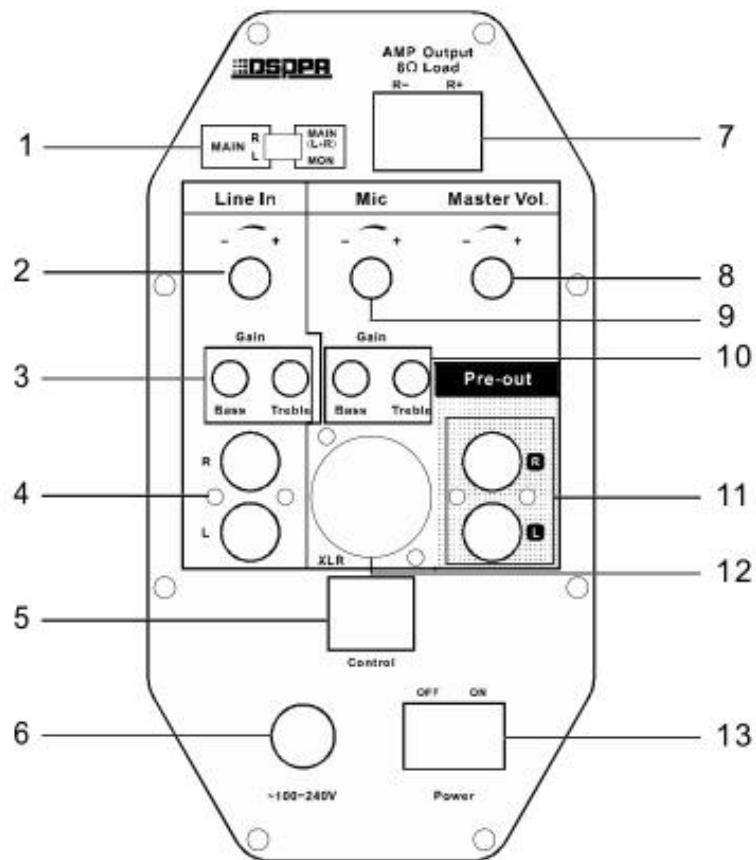


Model	H	W	D
DSP6606R	280	194	185
DSP6608R	310	215	203

Product dimension

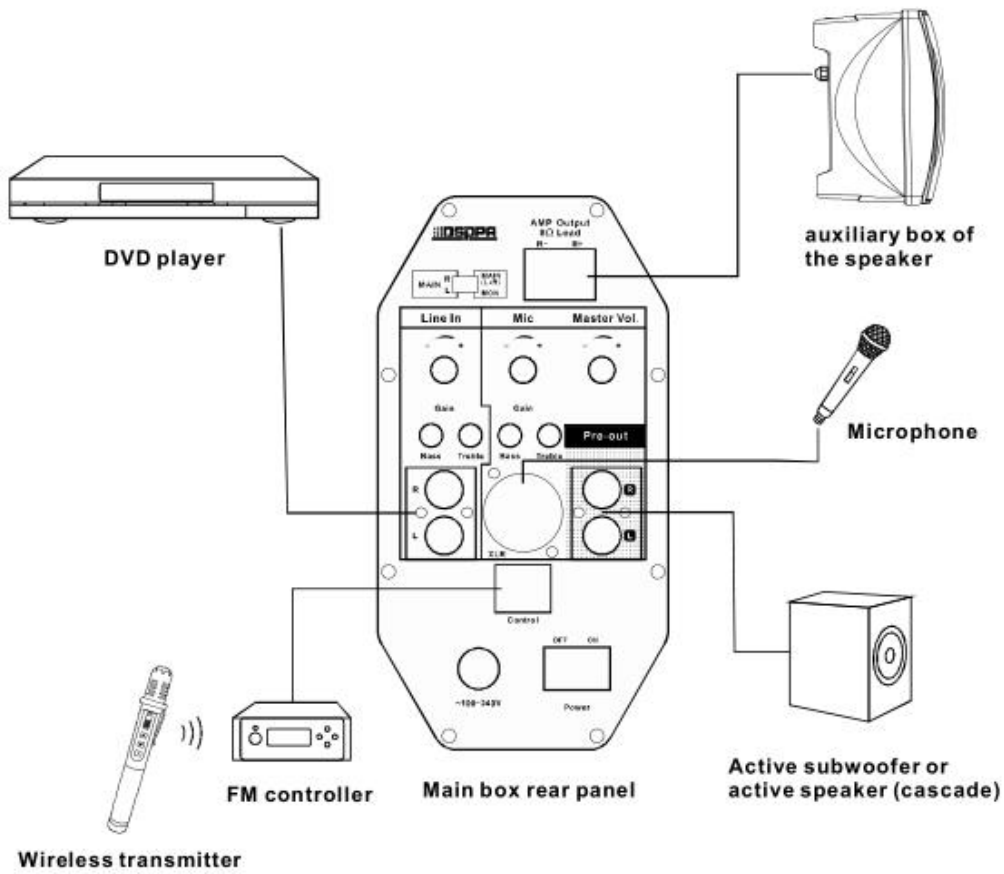
(Unit : mm)

Rear panel



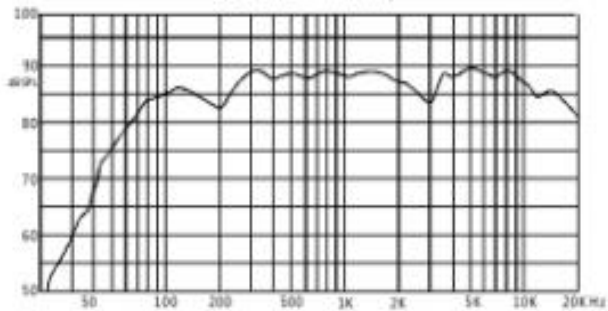
1. Mono stereo switch
2. Line input overall gain adjustment wire clip connects auxiliary box
3. Line input high pitch and low pitch gain
4. Line input interface (RCA)
5. Control input interface adjustment (connection FM controller) (RCA)
6. AC power cord (100-240V/ 50Hz/60Hz/2A)
7. Power amplifier right channel output WP wire clip connects auxiliary box
8. Total volume control knob
9. MIC input overall gain adjustment
10. MIC input high pitch and low pitch gain adjustment
11. Pre-out output interface
12. MIC balance input interface
13. Power switch (light on)

Typical application

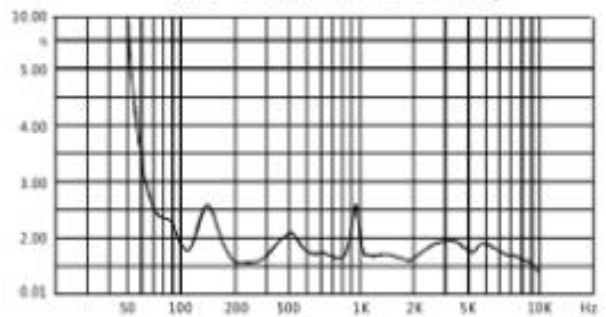


Technical parameters

DSP6606R frequency response characteristics
(dB SPL, 1W, 1m)



DSP6606R distortion characteristic
(THD < 5% 1W, 1m, 100Hz-10kHz)



Specification

Item	Specification	DSP6608R
Acoustic system Power	Speaker unit	6" x 1, 1" x 1
	Sensitivity	90±2dB
	The maximum pressure level (1m)	106±2dB
	Frequency response	80Hz-20KHz
	Distortion degree	≤ 0.1%
Power amplifier system	Rated power	2×40W /8Ω
	Frequency response	20Hz-20KHz
	Distortion degree	≤ 0.1%
	SNR	≥81dB
	Channel separation degree	>60dB
	Line In sensitivity	300mV
	Line out output amplitude	1.0V
	Balance MIC sensitivity	300mV @ 6.3 input
	high pitch	±8dB f 10kHz
	Low pitch	±8dB@ f=100Hz
Priority	balance MIC, wireless MIC > line input	
Power	Voltage	~100-240V/50/60Hz
Other parameters	Product dimension (H x W x D)	310×215×203mm
	Product weight	4.6KG