

# DSP630G 8W-30W Mushroom Speaker



## Features

- IP×6 waterproof level
- Max SPL: 102±2dB
- high-class resin material
- 4"×6"×2+3"×2 full-range driver
- Power taps at 15W-30W@100V
- Built-in 100v/70v transformer
- Wide Freq.Resp.:100Hz-8kHz
- High sensitivity: 90±2dB
- Heavy damage proof finish
- Landscape garden type loudspeaker

## Description

The DSP630G is a landscape garden speaker with a 70v/100v transformer built in. The 70v/100v transmission is realized in a high-voltage, low-current mode, which makes longer distance transmission and parallel connection of multiple loudspeakers possible.

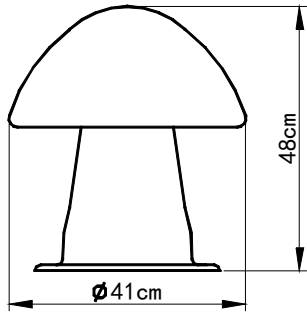
The high quality engineering plastic enclosure is of mushroom shape and has weatherproof and heavy damage proof finish. Easy and secure wall mount installation in outdoor area.

It is an ideal choice for industrial and commercial applications in the outdoor area of train station, shopping mall, parking area and factory where background music and paging is needed.

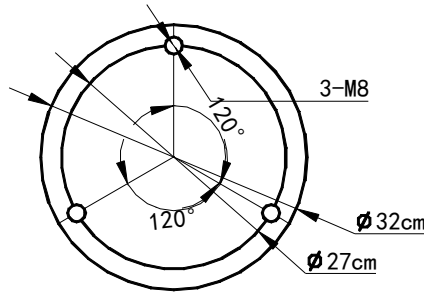
## Specification

Model	DSP630G
Full-range	4"×6"×1,3"×2
Rated Power	15W
Max Power	30W
Line Voltage	70/100V
Sensitivity(1M,1W)	90±2dB
Max SPL(1M)	102±2dB
Freq. Resp	100Hz-8kHz
Dimension(L×W×H)	Ø410×480mm
Weight	9kg

**DIMENSIONS**



**INSTALLATION HOLE**



**Installation**

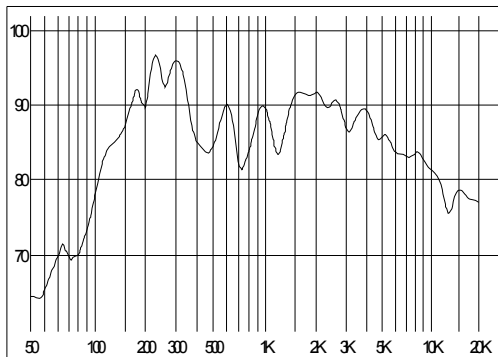
1. Setup a foundation like a round platform with concrete and set 3 screws (8mm) stretching out 3cm in it as shown above after concrete acidify continue;
2. Connect audio broadcasting wire to the speaker terminals according to the table below;

Power	Line	Voltage	70V	100V
Terminals				
Red---Blue			8W	15W
Red---White			15W	30W

3. Fix the speaker system with 3 nuts on screws of the foundation;
4. Finally, examine whether it is steady.

**FREQ. RESPONSE**

(dB SPL、1W、1m)



**DISTORTION**

(THD<1.5% 1W、1m、140Hz~12kHz)

