

DSP6064W 8" Wall Mount Speaker(30W-60W)



Features

- Built in 70v/100v transformer
- Wide Freq.Resp.:55-20,000Hz
- Max SPL:108±2dB
- High sensitivity:91±2dB
- 8" + 2.5" two ways speaker unit
- Wall mount type loudspeaker
- Metal grille and ABS enclosure of white color
- Equipped with hanging holes for mounting convenient

Description

The DSP6064W is a wall mount speaker built-in 70v/100v transformer. The 70v/100v transmission is realized in a high-voltage, low-current mode, which makes longer distance transmission and parallel connection of multiple loudspeakers possible.

The built-in 8"+2.5" two ways full range speaker drivers are designed of wide frequency response 55-20,000Hz, the multiple power taps of 50W & 100W could meet different applications varies from room size and ambient noise surroundings.

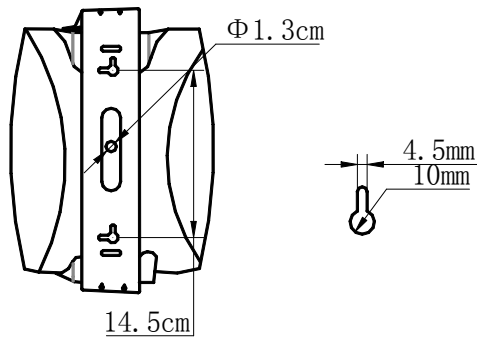
Metal grille and ABS enclosure of white color, long-term durability, never out of shape and fading; high sensitivity, clear and sonorous sound. Easy and secure wall mount installation by hanging holes.

It is ideal choice for industrial and commercial applications in hotel, school, office and factory where background music and paging is needed.

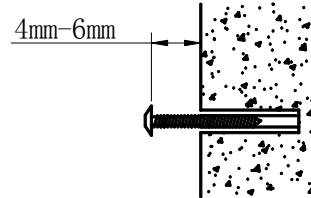
Specification

Model	DSP6064W
Full-range	6.5"×1, 2.5"×1
Rated Power	50W
Max Power	100W
Line Voltage	70/100V
Sensitivity(1M,1W)	91±2dB
Max SPL(1M)	108±2dB
Freq. Resp	70Hz-20kHz
Dimension(H×W×L)	442×255×276mm
Weight	8.4 kg

Hanging hole



Nail For Mounting



Installation

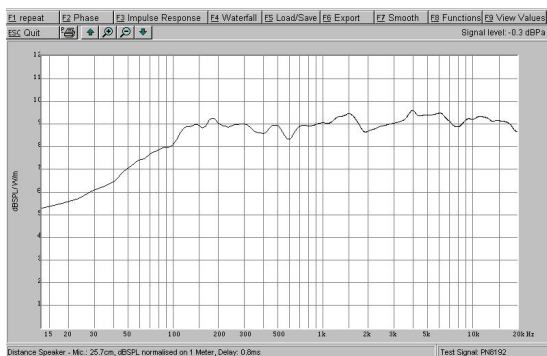
1. Fit two Ø4 mm nails on wall where it is needed to install a speaker system as shown above;
2. Connect audio broadcasting wire to the terminals according to the table below;

Power Terminals	Line Voltage	70V	100V
Red---Black		50W	100W

3. Position the speaker, then adjust the direction of it and examine whether it is steady.

FREQ. RESPONSE

(dB SPL, 1W, 1m)



DISTORTION

(THD < 1.5% 1W, 1m, 200Hz~12kHz)

